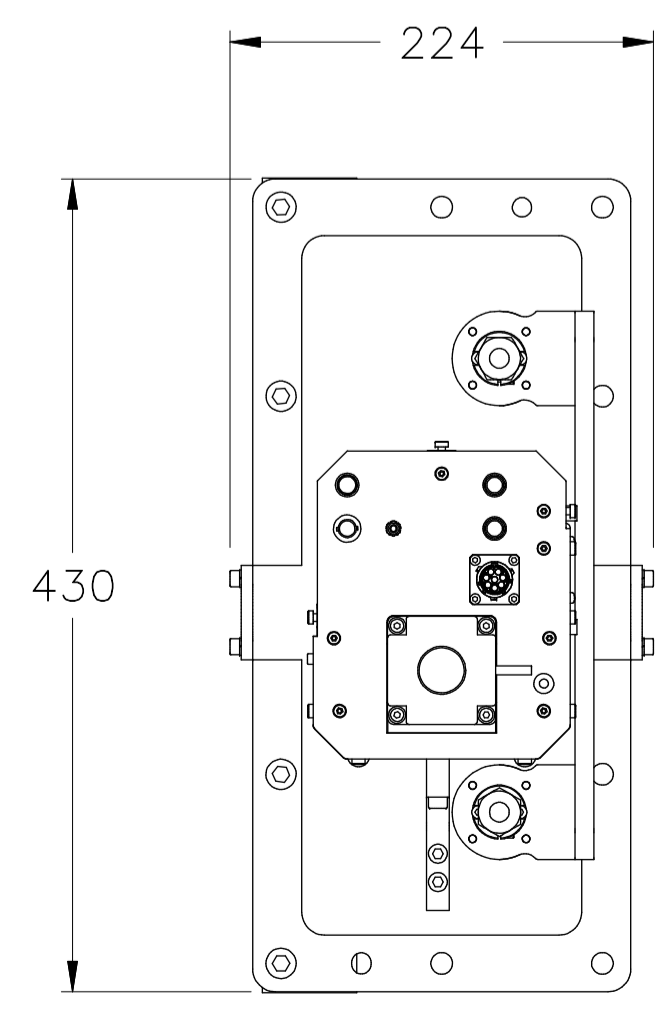
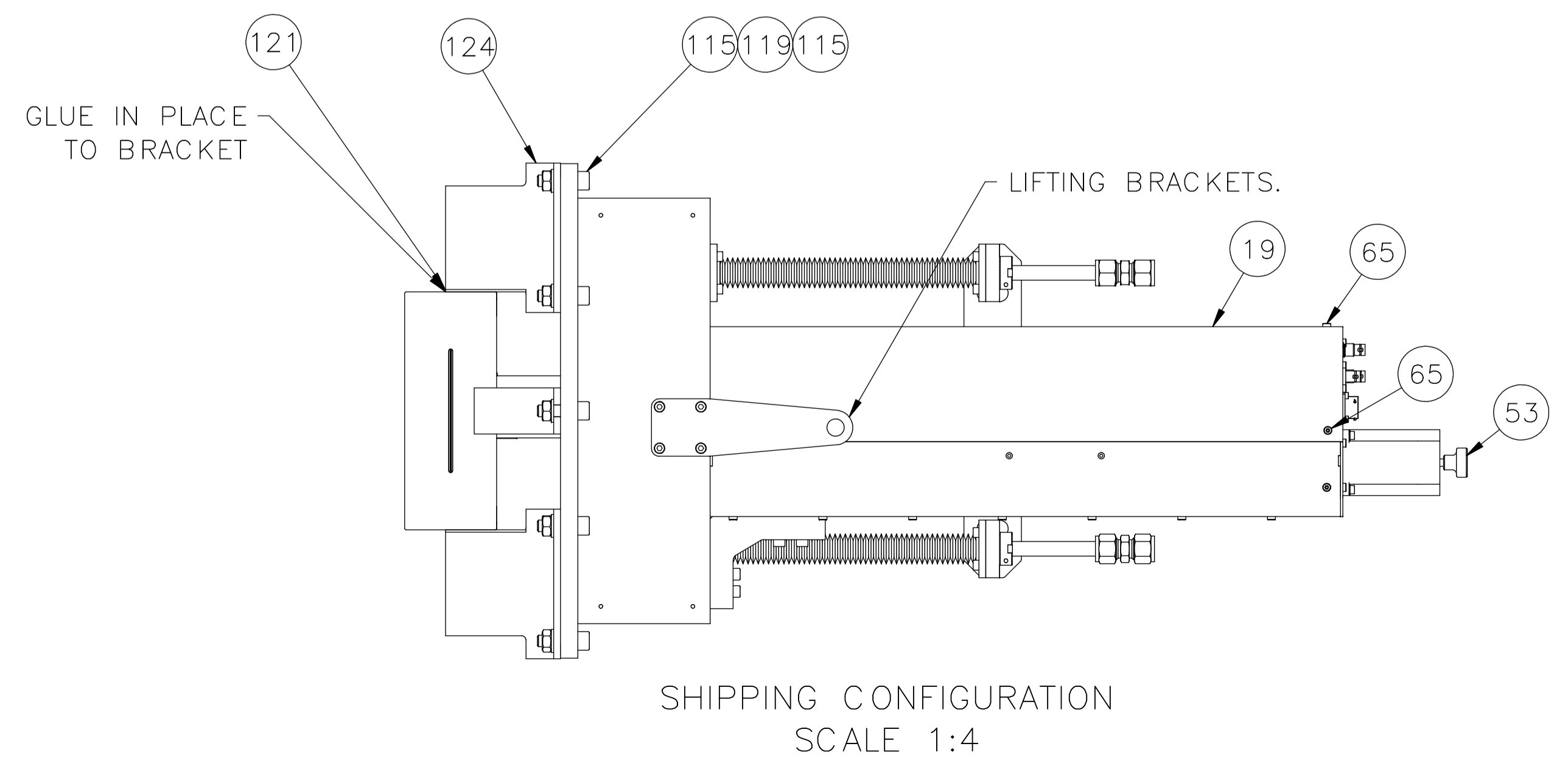
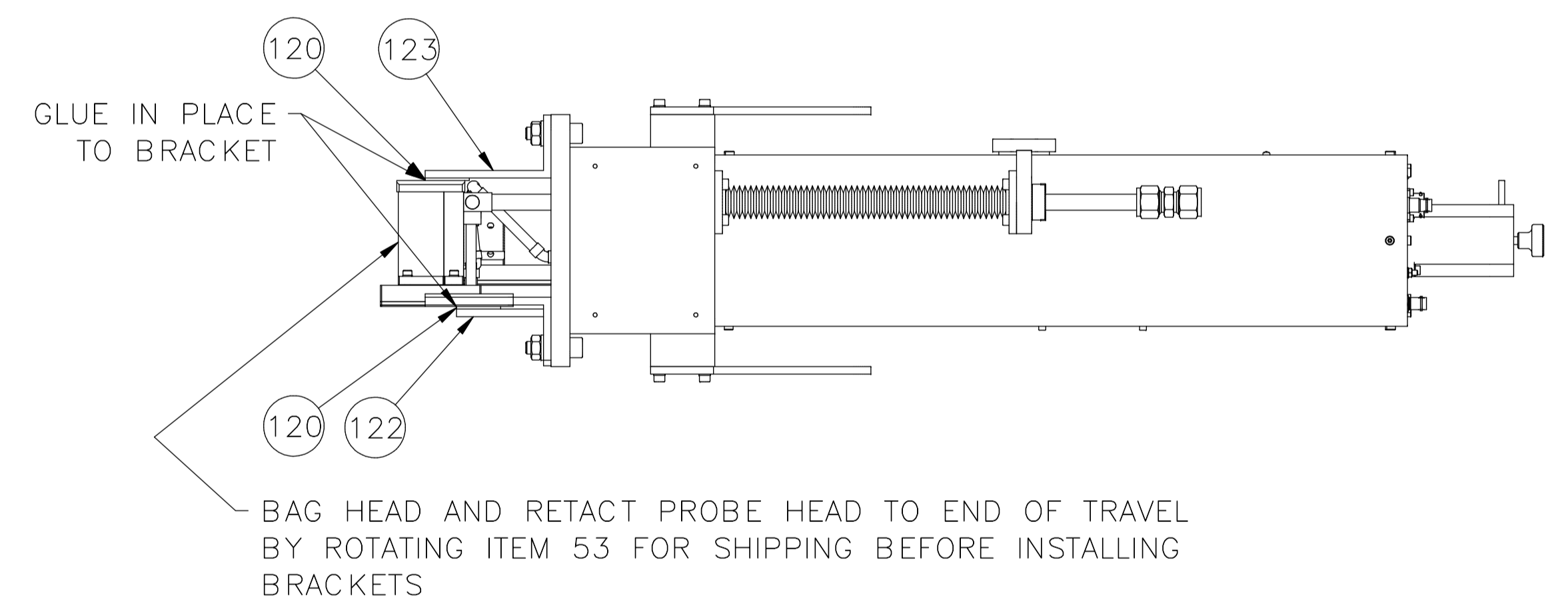
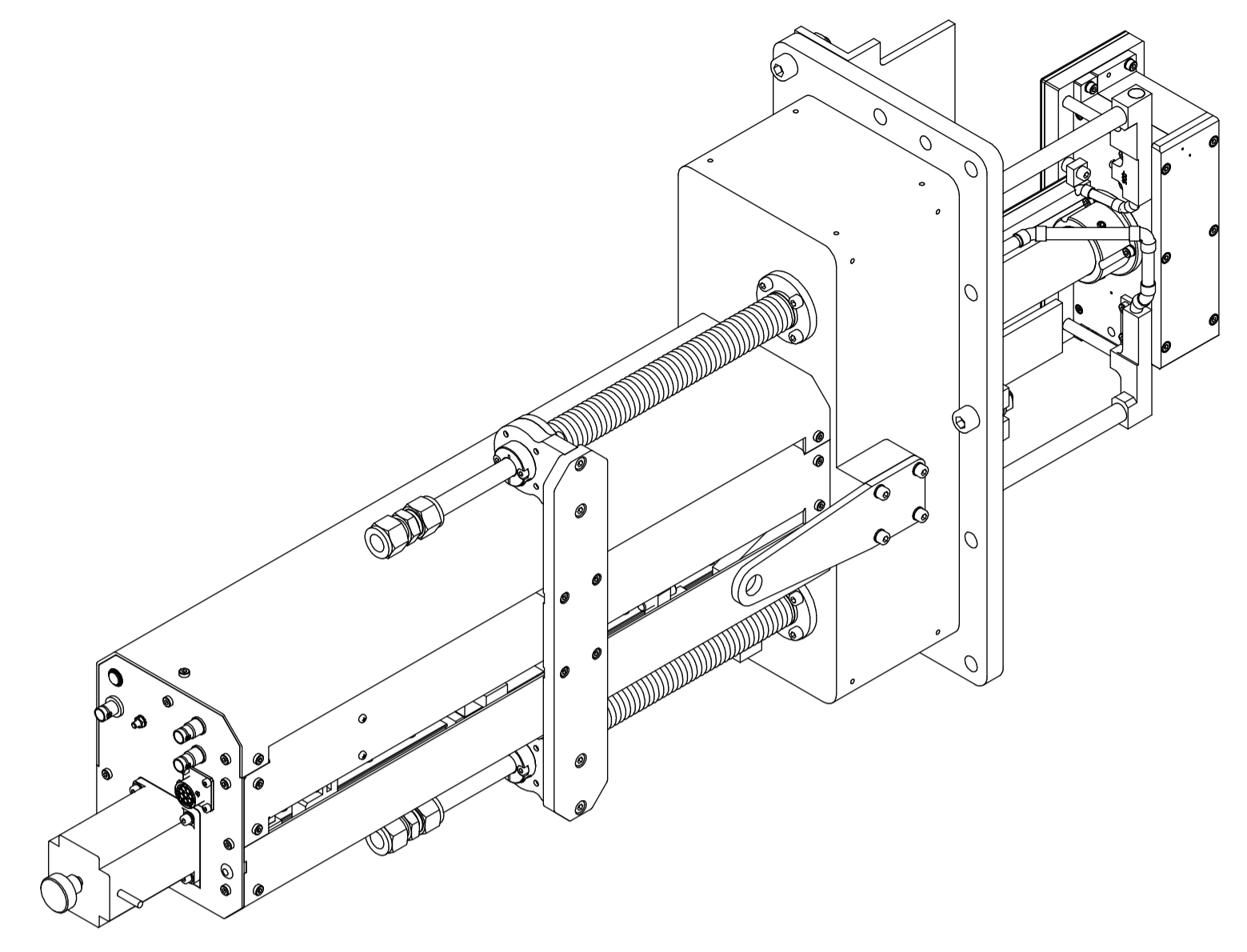
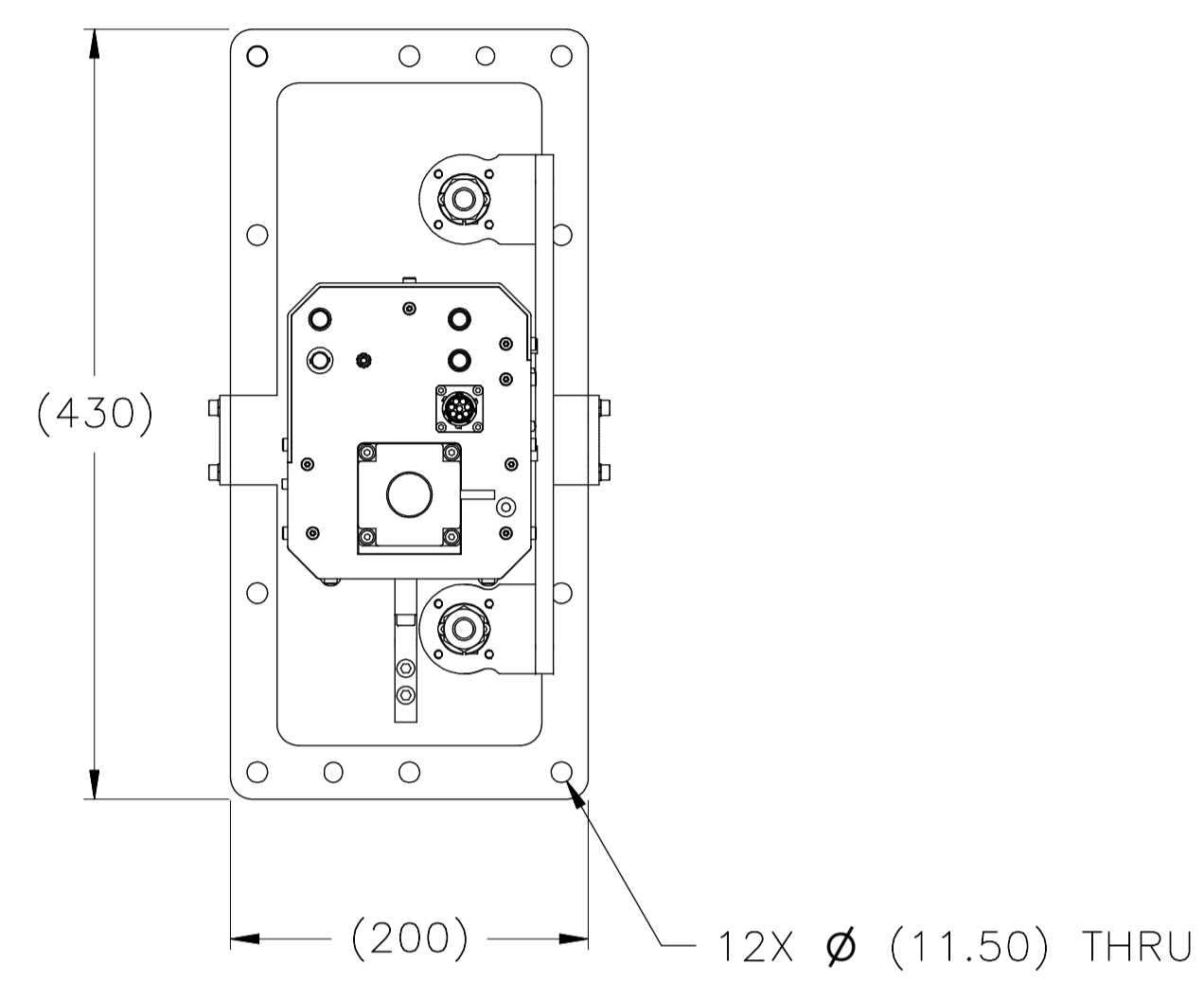
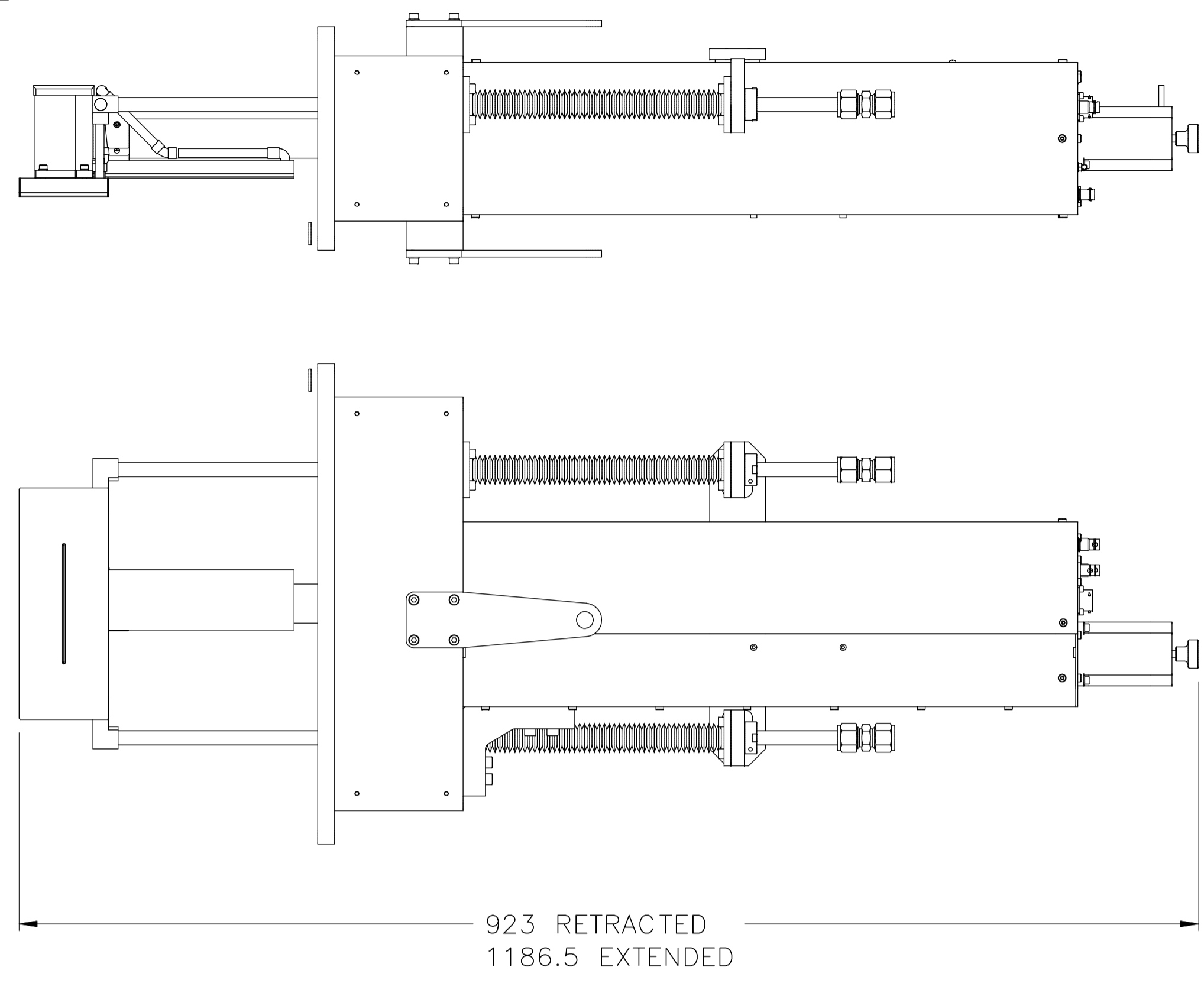

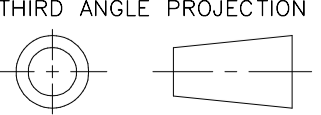


12 11 10 9 8 7 6 5 4 3 2 1

CONFIDENTIALITY
 THE CONTENTS OF THIS DRAWING INCLUDE CONFIDENTIAL INFORMATION WHICH IS THE SOLE PROPERTY OF D-PACE. ANY USE, DISCLOSURE OR REPRODUCTION OF THIS DRAWING, IN WHOLE OR IN PART, WITHOUT THE PRIOR WRITTEN AUTHORIZATION OF D-PACE IS STRICTLY PROHIBITED.



DO NOT SCALE FROM DRAWING METRIC DRAWING ALL DIMENSIONS IN MILLIMETRES	APPROVALS DRAWN S.WITHINGTON CHECKED J.THEROUX DESIGNED S.WITHINGTON MODELED S.WITHINGTON	DATE 23/07/2014 14/08/2014 16/07/2014	 DEHNEL - PARTICLE ACCELERATOR COMPONENTS & ENGINEERING, INC. P.O. BOX 201, NELSON BC, CANADA, V1L 5P9 TEL: (250) 352-5162 www.d-pace.com
TOLERANCES UNLESS OTHERWISE SPECIFIED LINEAR X ±1 X.X ±0.3 X.XX ±0.1 X.XXX ±0.03 ANGULAR ±0.5° SURFACE FINISH 1.6	TITLE EMITTANCE SCANNER, 10KW ES	SIZE 10KW,ES A1	
THIRD ANGLE PROJECTION 	NEXT ASSY SYSTEM	SCALE 1:4	DRAWING NO. 1800471 WEIGHT 36 kg SHEET 5 OF 5